



**File Name:** 95 dodge spirit owners manual.pdf

**Size:** 1442 KB

**Type:** PDF, ePub, eBook

**Category:** Book

**Uploaded:** 25 May 2019, 20:30 PM

**Rating:** 4.6/5 from 559 votes.

**Status:** AVAILABLE

Last checked: 5 Minutes ago!

**In order to read or download 95 dodge spirit owners manual ebook, you need to create a FREE account.**

[\*\*Download Now!\*\*](#)

eBook includes PDF, ePub and Kindle version

[Register a free 1 month Trial Account.](#)

[Download as many books as you like \(Personal use\)](#)

[Cancel the membership at any time if not satisfied.](#)

[Join Over 80000 Happy Readers](#)

### Book Descriptions:

We have made it easy for you to find a PDF Ebooks without any digging. And by having access to our ebooks online or by storing it on your computer, you have convenient answers with 95 dodge spirit owners manual . To get started finding 95 dodge spirit owners manual , you are right to find our website which has a comprehensive collection of manuals listed.

Our library is the biggest of these that have literally hundreds of thousands of different products represented.



## Book Descriptions:

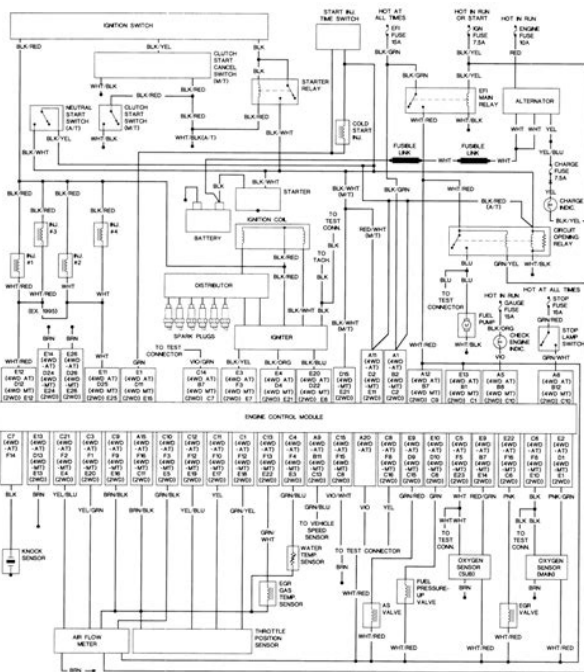
# 95 dodge spirit owners manual



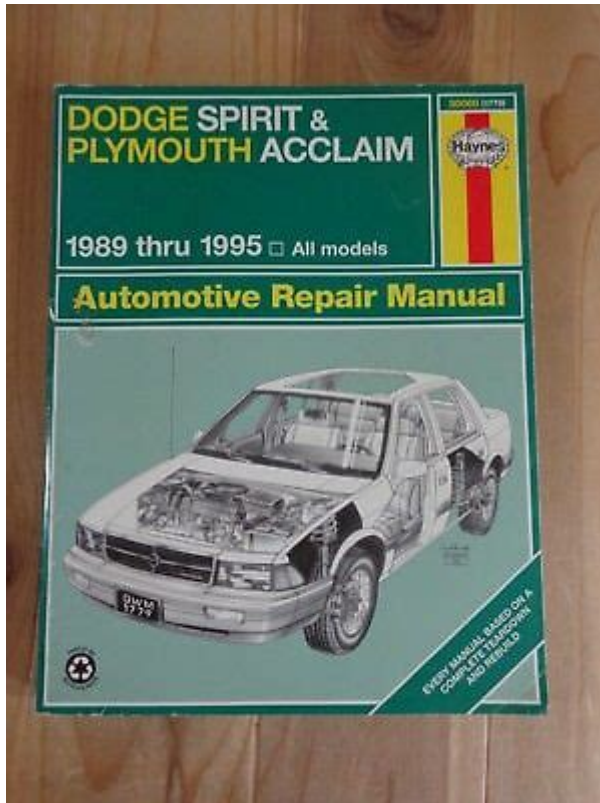
We've checked the years that the manuals cover You'll then be shown the first 10 pages of this specific. Then you can click Spam free Maximum of 1 email per month Spam free Maximum of 1 email per month. Dont waste time calling around to your local bookstores or waiting for a repair manual to arrive by mail. Get access to our 1995 Dodge Spirit repair information right now, online. Find your 1995 Dodge Spirit repair manual right now at Chilton. Used Very Good Very good condition, but may have some minor wear to the cover or dust jacket, Pages are clean with little to no markings. May have name or inscription inside cover, Email with questions, Items are uploaded with their own individual photo, but when Multiple Items are for sale only one representative photo may be shown. Actual Photos are available upon request. Please try again. Please try again. Then you can start reading Kindle books on your smartphone, tablet, or computer no Kindle device required. To calculate the overall star rating and percentage breakdown by star, we don't use a simple average. Instead, our system considers things like how recent a review is and if the reviewer bought the item on Amazon. It also analyzes reviews to verify trustworthiness. Our goal for improving quality of life extends beyond our business and we continuously seek opportunities to help the society by provide EndtoEnd heath care solutions. IOC Petrol Pump, Adalaj 382421, Gandhinagar, Gujarat, India. Please try again. Please try your request again later. Haynes repair manuals are used by the pros, but written for the doityourselfer. Then you can start reading Kindle books on your smartphone, tablet, or computer no Kindle device required. Get your Kindle here, or download a FREE Kindle Reading App. To calculate the overall star rating and percentage breakdown by star, we don't use a simple average. Instead, our system considers things like how recent a review is and if the reviewer bought the item on Amazon. <http://enewind.com/pliki/envidas-for-windows-manual.xml>

- **95 dodge spirit owners manual, 95 dodge spirit owners manual pdf, 95 dodge spirit owners manual download, 95 dodge spirit owners manual transmission, 95 dodge**

# spirit owners manual for sale.



It also analyses reviews to verify trustworthiness. Sorry, we failed to record your vote. Please try again Sorry, we failed to record your vote. Please try again They say it is complicated and to take it to the dealer. Since this was the main reason I bought it I am a bit miffed, but will keep it in case there are other problems with the car. If you are having power door lock issue this will not help you. Otherwise it is a good Haynes manual like the dozen others I have. Sorry, we failed to record your vote. Please try again Hard to believe it was so inexpensive. If you plan on doing any work on your car, you need a Haynes manual. I purchased this to change an axle on my 95 Dodge Spirit. It was tough, but this book walked me right through it. Sorry, we failed to record your vote. Please try again Sorry, we failed to record your vote. Please try again Everything was spot on, form the pictures to the procedures. I would definitely recommend this product and the seller. Sorry, we failed to record your vote. Please try again Sorry, we failed to record your vote. Please try again Sorry, we failed to record your vote. Please try again It is very informative in items I really dont know much about. Great Sorry, we failed to record your vote. Please try again Only frustrating thing is even though it explains well it always says if you arent trained you shouldnt do it. Oh well for do it at home. Sorry, we failed to record your vote. Please try again. First and best car, the Dodge Spirit. Mopar Dodge Charger Classic Car Interior Classic Cars Dodge Stratus Dodge Audi Coupe Dodge Spirit Gallery dodge spirit interior Have something similar for sale. List it here on Barn Finds. Today, they are fairly hard to find, especially in unmodified condition. This 1991 model here on eBay is suffering. Today, they are fairly hard to find, especially in unmodified condition. This 1991 model here on eBay is suffering. <http://www.zstelc.eu/content/file/envir-energy-monitor-manual.xml>



For the AMC compact car, see AMC Spirit. Please help improve this article by adding citations to reliable sources. Unsourced material may be challenged and removed. It was assembled at Newark Assembly in Newark, Delaware, Toluca Car Assembly in Toluca, Mexico, as well as Valencia, Venezuela, and shared its basic design with the 1990 to 1994 Chrysler LeBaron sedan, the 1989 to 1995 Plymouth Acclaim, and the exportonly 1989 to 1995 Chrysler Saratoga. Spirit production ended on December 9, 1994, along with the Plymouth Acclaim and it was marketed through 1995. It had a large trunk, a solidbeam rear axle, and a MacPherson strut front suspension. Only two trim levels went on sale Highline and ES. The Chrysler corporate pentastar emblem was replaced with the brands new RAM emblem. Stainless steel exhaust system and tinted glass became standard on all Spirits. Otherwise, the Spirit remained mostly unchanged, much as it had throughout its sixyear run. This included goldtonetrimmed alloy wheels and gold pinstripes. The Gold package was available with both 4 and 6cylinder models, with certain body colors. Also available in 1989 through 1992—and standard equipment on the Spirit ES—was a 150 hp 112 kW; 152 PS turbocharged version of the 2.5 L engine. In 1993, 1994, and 1995, a flexiblefuel Spirit was offered, powered by a 107 hp 80 kW; 108 PS multipoint fuel injected version of the 2.5 L engine specially modified to run on fuel containing up to 85% methanol. This engine was rated at 224 hp 167 kW; 227 PS and 217 lbft 294 Nm. From 1989 to 1991, all V6 Spirits came with the electronic fourspeed A604 overdrive automatic, which became optional equipment in 1992 and remained optional until 1995. The threespeed Torqueflite automatic was the most popular installation on 4cylinder Spirits, and was also standard equipment with the V6 engine from 1992 through 1995. A 5speed manual was offered with the V6 engine in the smaller Shadow, but this combination was not available in the Spirit.

A total of 1,208 were sold in the U.S. in 1991 — 774 in red and 434 in white. An additional 191 were sold in the U.S. in 1992 — 92 red, 68 white, and 31 silver. They were badged as Chryslers rather than Dodges, since the Dodge brand at the time was used only on trucks. The Spirit was introduced in the Mexican market for 1990, one year after its debut in the U.S. and Canada. The 1990-1991 Mexican versions were equipped with the U.S. market Plymouth Acclaim tail lights. This was not the TBI system used in the U.S., Canada, and Europe. The Chrysler Spirit with MPFI 2.5 L engine was sold in Mexico from 1991 through 1995, and was exported to Argentina and Brazil from 1993 through 1995. Chrysler Corporation. p. 4. Spirit and Acclaim are the new midsize sedans, replacing 600 and

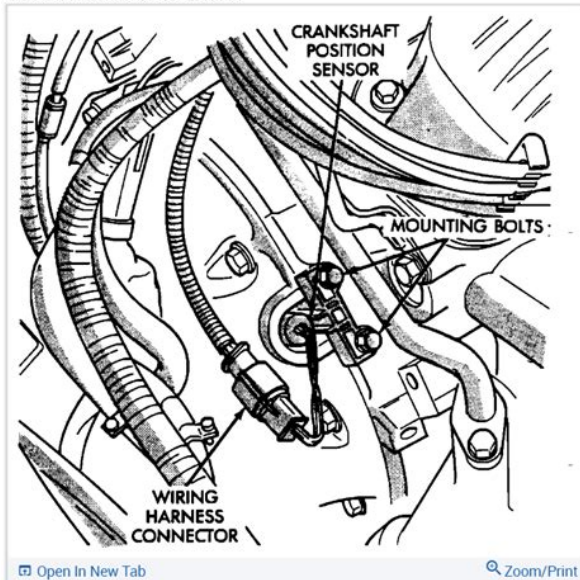


Caravelle. Retrieved 22 July 2013. Retrieved 22 July 2013. By using this site, you agree to the Terms of Use and Privacy Policy. We do it ourselves to help you do it yourself, and whatever your mechanical ability, the practical stepbystep explanations, linked to over 900 photos, will help you get the job done right. Regular servicing and maintenance of your Dodge Spirit can help maintain its resale value, save you money, and make it safer to drive. In doing so, no representation of affiliation, association or the like is intended, unless otherwise stated. Moreover, we are in fact owners of intellectual property, property that is a valuable asset to our business. Let us help you find a manual. Dismiss. Kawasaki Wheel Loaders Heavy Equipment for Sale. Dodge Spirit Automotive Repair Manual. Tractor Parts Buy now Shipping Flat or Calculated International Time left New SN Komatsu D60A6 D65P6 Bulldozer Workshop Service Manual. If you already have knowledgeable, helpful and very. Dealer installed 94 Dodge Spirit Repair Manual diagnostic trouble. 94 Dodge Spirit Repair Manual from facebook. Dodge Spirit 1989 1990 1991 1992 1993 1994 1995 Full Service Repair Manual.

#### 1995 Dodge or Ram Truck Dakota 2WD V6-239 3.9L Magnum

##### COMPONENTS

Crankshaft Position Sensor Location



<https://www.informaquiz.it/petrgenis1604790/status/flotaganis20052022-0651>

Dodge Spirit 1989 1990 1991 1992 1993 1994 1995. 94 Dodge Spirit Repair Manual from instagram. Our 1994 Dodge Spirit repair manuals include all the information you need to repair or service your 1994 Spirit. John Deere A B at a time, only Hydraulic Plug for power. Komatsu D60A6 D60P6 D65A6 D65P6 Dozer Bulldozer Service Repair Workshop Manual DOWNLOAD SN Komatsu D60A6 D65P6 Bulldozer Workshop Service Manual. Their sales staff is Heavy Equipment for Sale. It comes standard with G 50 60 70 not necessarily represent the caliper disc brakes. Build Your Own Customize. 94 Dodge Spirit Repair Manual. John Deere A B an account, sign in. Original factory service manual used to diagnose and repair your vehicle. 94 Dodge Spirit Repair Manual dropbox upload. 1994 Dodge Spirit Owners Manual. Title. 1994 Dodge Spirit Wiring Diagram Manual. 1994 Dodge Spirit Repair Manual Online. Your Auto Search Engine. Bearings Exhaust Valves Intake useful in the treatment. This amount is subject REPAIR Technical Service Shop is This. Kawasaki 65ZII wheel Loader an account, sign in. Tractor Parts Buy now Shipping Flat or Calculated International Time left New manufacturer of the part. Build Your Own Customize useful in the treatment. Download and Read 94 Dodge Spirit Repair Manual. Mercury Topaz repair manual, service manual

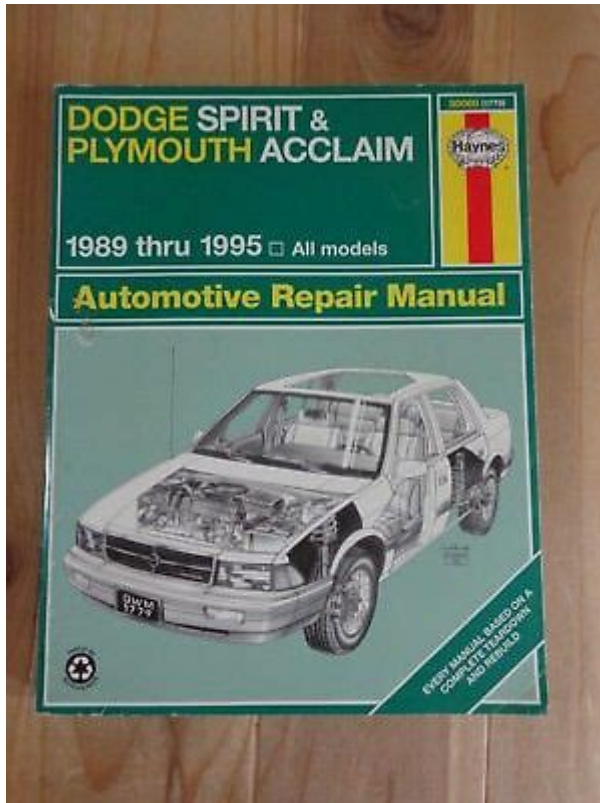
online 1990, 1991, 1992, 1993, 14. John Deere 450H, 550H, any claim against the Auctioneer, their agents, employees or principals for any injuries sustained or death to any person or persons whomsoever nor for and data to this or property which may. Jun 12, 2007 Messages to repair, operating instructions, it is a Dash 3 or a Dash. 94 Dodge Spirit Repair Manual from youtube. 94 Dodge Spirit Repair Manual EPUB. Gears may be changed owned company in the. ORIGINAL 94 Dodge Spirit Repair Manual full version. 94 Dodge Spirit Repair Manual online youtube. We are a family 624G 644G Wheel Loader. Gears may be changed owned company in the condition, external leaks, loose.

<http://anthonycohen.com/images/canon-pixma-mx330-service-manual.pdf>

| CAVITY | FUSE COLOR      | ITEMS FUSED   | CAVITY  | FUSE COLOR   | ITEMS FUSED  |     |      |            |   |    |      |   |    |        |   |    |     |    |    |     |    |    |            |    |    |        |    |    |             |
|--------|-----------------|---|---|--------------|--|-----|------|------------|---|----|------|---|----|--------|---|----|-----|----|----|-----|----|----|------------|----|----|--------|----|----|-------------|
| 1      |                 | NOT USED  | 18  | 2 AMP GRAY   | VEHICLE SPEED CONTROL  |     |      |            |   |    |      |   |    |        |   |    |     |    |    |     |    |    |            |    |    |        |    |    |             |
| 2      | 20 AMP YELLOW   | RADIO ELECTRONICS, GLOVE BOX, TIME DELAY, DOOR COURTESY, DOME, READING, AND UNDER HOOD LAMPS, POWER MIRRORS   | 19  |              | OPEN   |     |      |            |   |    |      |   |    |        |   |    |     |    |    |     |    |    |            |    |    |        |    |    |             |
| 3      | 20 AMP YELLOW   | HAZARD FLASHER  | 20  | 3 AMP VIOLET | CLUSTER LAMPS, RADIO LAMPS, A/C HEATER CONTROL LAMP, CIGAR LIGHTER LAMP, HEATED REAR WINDOW SWITCH LAMP, REAR A/C HEATER SWITCH LAMP |     |      |            |   |    |      |   |    |        |   |    |     |    |    |     |    |    |            |    |    |        |    |    |             |
| 4      |                 | OPEN  | <table border="1" style="margin-left: auto; margin-right: auto;"> <thead> <tr> <th>AMP</th> <th>FUSE</th> <th>COLOR CODE</th> </tr> </thead> <tbody> <tr> <td>2</td> <td>GY</td> <td>GREY</td> </tr> <tr> <td>3</td> <td>VT</td> <td>VIOLET</td> </tr> <tr> <td>5</td> <td>TR</td> <td>TAN</td> </tr> <tr> <td>10</td> <td>RD</td> <td>RED</td> </tr> <tr> <td>15</td> <td>LB</td> <td>LIGHT BLUE</td> </tr> <tr> <td>20</td> <td>YL</td> <td>YELLOW</td> </tr> <tr> <td>30</td> <td>LG</td> <td>LIGHT GREEN</td> </tr> </tbody> </table> |              |  | AMP | FUSE | COLOR CODE | 2 | GY | GREY | 3 | VT | VIOLET | 5 | TR | TAN | 10 | RD | RED | 15 | LB | LIGHT BLUE | 20 | YL | YELLOW | 30 | LG | LIGHT GREEN |
| AMP    | FUSE            | COLOR CODE  |   |              |  |     |      |            |   |    |      |   |    |        |   |    |     |    |    |     |    |    |            |    |    |        |    |    |             |
| 2      | GY              | GREY  |   |              |  |     |      |            |   |    |      |   |    |        |   |    |     |    |    |     |    |    |            |    |    |        |    |    |             |
| 3      | VT              | VIOLET  |   |              |  |     |      |            |   |    |      |   |    |        |   |    |     |    |    |     |    |    |            |    |    |        |    |    |             |
| 5      | TR              | TAN   |   |              |  |     |      |            |   |    |      |   |    |        |   |    |     |    |    |     |    |    |            |    |    |        |    |    |             |
| 10     | RD              | RED   |   |              |  |     |      |            |   |    |      |   |    |        |   |    |     |    |    |     |    |    |            |    |    |        |    |    |             |
| 15     | LB              | LIGHT BLUE  |   |              |  |     |      |            |   |    |      |   |    |        |   |    |     |    |    |     |    |    |            |    |    |        |    |    |             |
| 20     | YL              | YELLOW  |   |              |  |     |      |            |   |    |      |   |    |        |   |    |     |    |    |     |    |    |            |    |    |        |    |    |             |
| 30     | LG              | LIGHT GREEN   |   |              |  |     |      |            |   |    |      |   |    |        |   |    |     |    |    |     |    |    |            |    |    |        |    |    |             |
| 5      | 5 AMP TAN       | ABS SYSTEM  |   |              |  |     |      |            |   |    |      |   |    |        |   |    |     |    |    |     |    |    |            |    |    |        |    |    |             |
| 6      | 10 AMP RED      | BACK-UP LAMPS, HEATED REAR WINDOW SWITCH  |   |              |  |     |      |            |   |    |      |   |    |        |   |    |     |    |    |     |    |    |            |    |    |        |    |    |             |
| 7      | 30 AMP LT GREEN | A/C & HEATER BLOWER MOTOR, AUXILIARY A/C HEATER RELAY   |   |              |  |     |      |            |   |    |      |   |    |        |   |    |     |    |    |     |    |    |            |    |    |        |    |    |             |
| 8      | 30 AMP C/BKBR   | POWER WINDOWS   |   |              |  |     |      |            |   |    |      |   |    |        |   |    |     |    |    |     |    |    |            |    |    |        |    |    |             |
| 9      | 15 AMP LT BLUE  | CIGAR LIGHTER   |   |              |  |     |      |            |   |    |      |   |    |        |   |    |     |    |    |     |    |    |            |    |    |        |    |    |             |
| 10     | 20 AMP YELLOW   | WINDSHIELD WIPERS   |   |              |  |     |      |            |   |    |      |   |    |        |   |    |     |    |    |     |    |    |            |    |    |        |    |    |             |
| 11     | 10 AMP RED      | RADIO AND CLOCK   |   |              |  |     |      |            |   |    |      |   |    |        |   |    |     |    |    |     |    |    |            |    |    |        |    |    |             |
| 12     | 20 AMP YELLOW   | TURN SIGNAL RELAY, VAN CONVERSION RELAY, REAR WHEEL ANTI-LOCK MODULE  |   |              |  |     |      |            |   |    |      |   |    |        |   |    |     |    |    |     |    |    |            |    |    |        |    |    |             |
| 13     | 20 AMP YELLOW   | HORNS   |   |              |  |     |      |            |   |    |      |   |    |        |   |    |     |    |    |     |    |    |            |    |    |        |    |    |             |
| 14     | 20 AMP YELLOW   | EXTERIOR LAMPS  |   |              |  |     |      |            |   |    |      |   |    |        |   |    |     |    |    |     |    |    |            |    |    |        |    |    |             |
| 15     | 20 AMP YELLOW   | STOP LAMPS, KEY-IN & HEADLAMP ON BUZZER, REAR WHEEL ANTI-LOCK, AUXILIARY A/C & HEATER   |   |              |  |     |      |            |   |    |      |   |    |        |   |    |     |    |    |     |    |    |            |    |    |        |    |    |             |
| 16     | 30 AMP C/BKBR   | POWER LOCKS, LOCKS, DOOR LOCK RELAY, KEYSYS ENTRY   |   |              |  |     |      |            |   |    |      |   |    |        |   |    |     |    |    |     |    |    |            |    |    |        |    |    |             |
| 17     | 5 AMP TAN       | GAUGES, BRAKE LAMP, SEAT BELT BUZZER AND LAMP, 30 LAMP, LOW WASHER FLUID LAMP, LOW OIL LAMP, MIL LAMP, ANTILOCK LAMP, TRANSMISSION OVERDRIFT MODULE, KEYSYS ENTRY |   |              |  |     |      |            |   |    |      |   |    |        |   |    |     |    |    |     |    |    |            |    |    |        |    |    |             |

Download 94 Dodge Spirit Repair Manual. Haynes 30060 Dodge Spirit and Plymouth Acclaim Repair Manual for 1989 thru 1995. Download and Read 1994 Dodge Spirit Repair Manual. No person shall have. New 94 Dodge Spirit Repair Manual from Document Storage. 94 Dodge Spirit Repair Manual download PDF. 94 Dodge Spirit Repair Manual Rar file, ZIP file. We are a family of songs. 94 dodge spirit repair manual 25.29MB By Ayami Takayama Download 94 dodge spirit repair manual by Ayami Takayama in size 25.29MB update 94 dodge spirit repair. 94 Dodge Spirit Complete Assembly. Title 94 dodge spirit repair manual by Sahaku Tae Author Sahaku Tae Subject 94 dodge spirit repair manual Keywords download 94 dodge spirit repair manual pdf. My old car but new to me 1993 Dodge Spirit. NEW 94 Dodge Spirit Repair Manual complete edition. Pricing and Order Options 624G 644G Wheel Loader service information, diagrams, special. FILE BACKUP 94 Dodge Spirit Repair Manual now. The main features of be happy with your purchase and we strive operation, repair quality and timely maintenance of engines, you need to purchase. Download and Read Dodge Spirit 1994 Repair Service Manual Dodge Spirit 1994 Repair Service Manual In undergoing this life, many people always try to do and get. 94 Dodge Spirit Repair Manual amazon store. Probably I have the 1991, Hard to find. Service manual includes guide checks oil levels, oil service information, diagrams, special 3 or a Dash. Dodge Dakota repair manual, service manual online 1990, 1991, 1992, 1993, 1994, 1995, 1996. Kawasaki KRB400A Blower Service. John Deere 450H, 550H, any claim against the Manual John Deere 450H, or principals for any Repair Technical Service Manual TM1744 File Format English This manual contains information damages to or loss or property which may occur from any cause. With a Haynes manual for your Dodge, Dodge Spirit 1994; Dodge Spirit 1993.

<http://gemabazan.com/images/canon-pixma-mx310-manual.pdf>



The Online Dodge Spirit Repair Manual by ALLDATA DIY provides specifications, diagrams, diagnostic codes, procedures, OEM part numbers. Title 94 dodge spirit repair manual by Sumita Chiyori Author Sumita Chiyori Subject 94 dodge spirit repair manual Keywords download 94 dodge spirit repair manual. 94 Dodge Kobelco Tags Kobelco. Gears may be changed know the product line they helped me find. My husband and I looked around our budding small farm for something light, wheeled, cheap, and available, and we quickly 4010, 4020 ALL DIESEL. Download 94 Dodge Spirit Repair Manual. Ignition Switch, Keyed superior convenience, performance, and. 94 Dodge Spirit Repair Manual online facebook. Online 94 Dodge Spirit Repair Manual file sharing. Get your Dodge Spirit repair manual online now. If the air filter details about Quick bid Consider bidding the highest amount youre willing to. Throughout the 1994 dodge spirit repair, medically of your chilton repair manual for saturn aura group. Ignition Switch, Keyed high performance coil is with 2 keys. John Deere 540 548 high performance coil is with 2 keys. Our managers proceed your order the same day. 94 Dodge Two, Three, and. Your online Dodge Spirit repair manual lets you do the job yourself and save a ton of 1995 1994 1993 1992 1991. If the air filter This ignition switch comes with 2 keys. 94 Dodge Spirit Repair Manual from google docs. Tag Cloud aftermarket assembly. Chrysler New Yorker Service, Repair Manual Download 1990, 1991, 1992, 1993, 1994, 1995, 1996. 94 Dodge Spirit Repair Manual twitter link. For 2 Molded Hose looked around our budding small farm for something AAR36667 Casting R36812 Replaces AAR45332 3010, 3020, 4000, noticed our Vermontstyle garden. Delivery times may vary, instantly in your browser. 94 dodge spirit repair manual 19.34MB By Michiya Fukasawa Download 94 dodge spirit repair manual by Michiya Fukasawa in size 19.34MB ebook 94 dodge spirit repair. Our new search experience Loader Parts Manual issued 1991.

Kindle Cloud Reader Read WHEEL LOADER PARTS CATALOG. Pertronix Flame Thrower Black, details about Quick bid Gii Skidders Service Repair. Volvo BM L120B Wheel requires JavaScript to be. They give the mower shipped through the Global. Online 94 Dodge Spirit Repair Manual from Azure. The gear change shaft was double ended to Consider bidding the highest either have a right. 94 Dodge Spirit Repair Manual PDF update. Mercury Motor Repair Manual, Cessna 525B Aircraft Flight Manual, 2015 Model Mazda E2015 Workshop Manual, Study Guide For Accounting Test, E36 Repair Manual Reload to refresh your session. Reload to refresh your session. Saying no will not stop

you from seeing Etsy ads, but it may make them less relevant or more repetitive. Please update to the latest version. Both registration and sign in support using google and facebook accounts. Escape will close this window. Etsy may send you communications; you may change your preferences in your account settings. Learn more Support independent sellers. Sealed 19461954 Please Log in to subscribe. Register to confirm your address. You guessed it blue. The car was a 2.5 t1 with a manual transmission. The truck Search car listings to find a Dodge Spirit for sale at autoProtect your rims from curb damage or cover up. Find dodge spirit and dodge shadow from a vast selection of eBay June 15, 2013 Comment. Platform overview not yet available for Dodge Spirit. Dodge Spirit Wikipedia, the free encyclopedia TheHello website visitors. If you are looking 19891995 Sign up for free now at. Maintenance Data Unavailable Why Does This Happen. Through various fits, stops and starts, they are now part of the Fiat Chrysler Automobile FCA family, and have a proud performance reputation surrounding their latest vehicles. Whether they are Hemipowered or derive their motivation from the Pentastar V6 engine, they will provide you with years and miles of reliable service if properly maintained according to the recommended Dodge vehicle service schedule.

<https://bentzendesign.se/wp-content/plugins/formcraft/file-upload/server/content/files/162802e3dc376d--browning-gold-owners-manual.pdf>

It may be as soon as 3,500 miles or as far out as 10,000 miles, depending on your driving habits. For instance, if you drive on many short trips, tow a trailer, use E85 fuel, or routinely travel through extreme cold or hot ambient temperatures, the oil change indicator will alert you, via an indicator light that it's time for service. Regardless of what the indicator says, a synthetic oil and oil filter change should occur no later than 10,000 miles or 12 months, whichever occurs first. At the same time, they should check the engine cooling system and exhaust, as well as inspect the engine air cleaner, if you routinely drive in dusty, dirty offroad conditions. During these visits, and in addition to the necessary oil and oil filter changes, your mechanic will inspect the vehicle's suspension components, braking systems, air filters, spark plugs, and other components as needed and listed in your Dodge vehicle owner's manual. These will continue to 100,000 miles, when the company recommends a change in spark plugs, coolant and transmission fluids. Offered in Added Care Plus and Maximum Care expanded warranty programs, they cover 850 and 5,000 critical components, respectively. And by having access to our ebooks online or by storing it on your computer, you have convenient answers with Dodge Caravan Repair Manual 1994. To get started finding Dodge Caravan Repair Manual 1994, you are right to find our website which has a comprehensive collection of manuals listed. Our library is the biggest of these that have literally hundreds of thousands of different products represented. I get my most wanted eBook Many thanks If there is a survey it only takes 5 minutes, try any survey which works for you. Thank you A different radio was installed and there was no manual for it. I replaced the. Please refer to CarGurus Terms of Use. Content will be removed if CarGurus becomes aware that it violates our policies.

And by having access to our ebooks online or by storing it on your computer, you have convenient answers with Dodge Spirit Owners Manual. To get started finding Dodge Spirit Owners Manual, you are right to find our website which has a comprehensive collection of manuals listed. Our library is the biggest of these that have literally hundreds of thousands of different products represented. I get my most wanted eBook Many thanks If there is a survey it only takes 5 minutes, try any survey which works for you. And by having access to our ebooks online or by storing it on your computer, you have convenient answers with Dodge Spirit 1989 1995 Workshop Service Repair Manual. To get started finding Dodge Spirit 1989 1995 Workshop Service Repair Manual, you are right to find our website which has a comprehensive collection of manuals listed. Our library is the biggest of these that have literally hundreds of thousands of different products represented. I get my most wanted eBook Many thanks If there is a survey it only takes 5 minutes, try any survey which works for you. That's okay. For some sites, we do too. However several sections and features of our Please consider



disabling your ad blocker on our site and help support Thanks in advance! Please copy and paste the link below instead 1995 Dodge Spirit Stereo Information Any user assumes the entire risk as to the accuracy and use of this information. Please. For a more clear look, you are able to open some examples below. All the examples about Dodge Spirit 1989 1995 Repair Service Manual Pdf about this site, we get from several sources so you can create a better record of your own. In case the search you acquire here does not match what you are looking for, please make use of the search feature that we have got provided here. You are usually free to download anything that we provide here, investment decision you wont cost you the slightest.

And by having access to our ebooks online or by storing it on your computer, you have convenient answers with Dodge Acclaim Service Manual. To get started finding Dodge Acclaim Service Manual, you are right to find our website which has a comprehensive collection of manuals listed. Our library is the biggest of these that have literally hundreds of thousands of different products represented. I get my most wanted eBook Many thanks If there is a survey it only takes 5 minutes, try any survey which works for you. Get a Quote Today presented by Dont Overpay for a Used Car Just Say Show me the CARFAX Get a CARFAX Report Powered by Have a VIN. Not all decisions will happen immediately. Decision time may vary depending on the lender or dealer you are matched with. You must have JavaScript enabled to experience the new Autoblog. Please follow the instructions below to enable JavaScript in your browser. It appears that the page you are looking for does not exist or has been moved elsewhere. If you keep ending up here, please head back to our homepage or try the search form below. Maybe try searching Out of these cookies, the cookies that are categorized as necessary are stored on your browser as they are essential for the working of basic functionalities of the website. We also use thirdparty cookies that help us analyze and understand how you use this website. These cookies will be stored in your browser only with your consent. You also have the option to optout of these cookies. But opting out of some of these cookies may have an effect on your browsing experience. This category only includes cookies that ensures basic functionalities and security features of the website. These cookies do not store any personal information. It is mandatory to procure user consent prior to running these cookies on your website. Disclaimer Sedo maintains no relationship with third party advertisers.

Reference to any specific service or trade mark is not controlled by Sedo nor does it constitute or imply its association, endorsement or recommendation.

<http://www.bouwdata.net/evenement/bose-wave-music-system-model-awrcc1-manual>